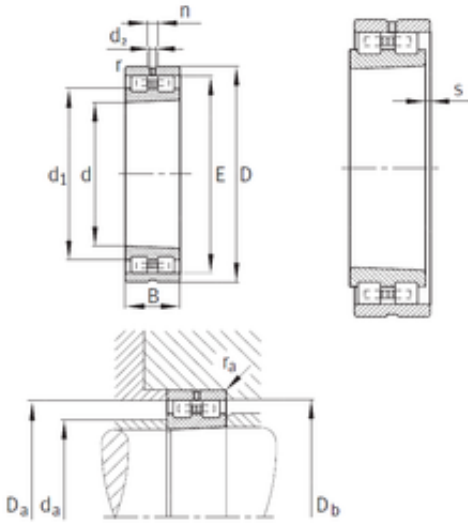




# TRANSMISSIONS EUROPE CREZANCY



## INA NN3056-AS-K-M-SP cylindrical roller bearings

Bearing No. NN3056-AS-K-M-SP

Size	280x420x106 mm
Bore Diameter	280 mm
Outer Diameter	420 mm
Width	106 mm
d	280 mm
D	420 mm
E	384 mm
B	106 mm
C	106 mm
n	15 mm
d1	332,8 mm
d2	8 mm
r min.	4 mm
da min.	295 mm
Da max.	405 mm
Db min.	388 mm
ra max.	3 mm
S	6,8 mm
Weight	49,7 Kg
Basic dynamic load rating (C)	1080 kN
Basic static load rating (C0)	2080 kN
(Grease) Lubrication Speed	1 800 r/min
(Oil) Lubrication Speed	2 200 r/min

NN3056-AS-K-M-SP Bearing 2D drawings and 3D CAD models