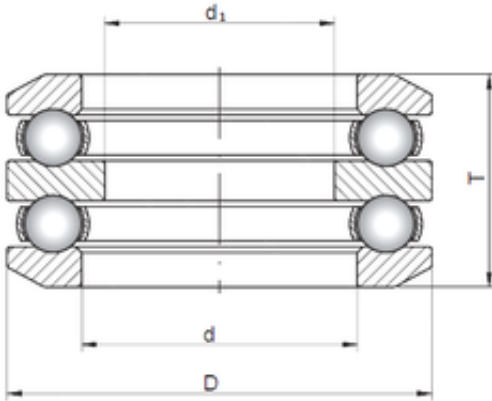




TRANSMISSIONS EUROPE CREZANCY

ISO 54212 thrust ball bearings



Bearing No. 54212

Size	62x95x50 mm
Bore Diameter	62 mm
Outer Diameter	95 mm
Width	50 mm
d	62 mm
d1	50 mm
D	95 mm
T	50 mm

54212 Bearing 2D drawings and 3D CAD models