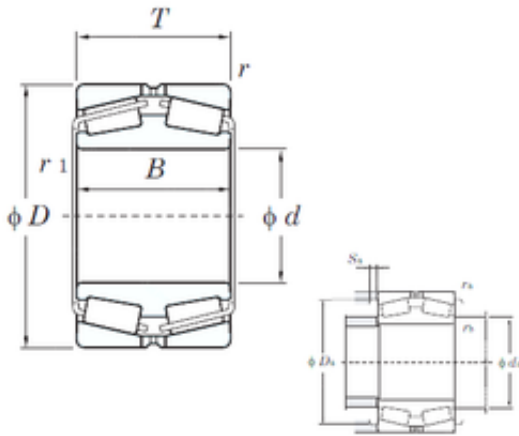




TRANSMISSIONS EUROPE CREZANCY

KOYO 45360 tapered roller bearings



45360 Bearing 2D drawings and 3D CAD models

Bearing No. 45360

Size	300x500x160 mm
Bore Diameter	300 mm
Outer Diameter	500 mm
Width	160 mm
d	300 mm
D	500 mm
T	160 mm
B	160 mm
r min.	5 mm
r1 min.	6 mm
da max	356 mm
Db min.	440 mm
ra max.	4 mm
rb max.	5 mm
Db max	478 mm
Weight	129 Kg
Basic dynamic load rating (C)	2120 kN
Basic static load rating (C0)	4240 kN
(Grease) Lubrication Speed	470 r/min
(Oil) Lubrication Speed	630 r/min
Calculation factor (e)	0,35
Calculation factor (Y0)	1,91
Bearing No.	45360
r(min)	5
r1(min)	6
Cr	2670



TRANSMISSIONS EUROPE CREZANCY

C0r	4240
Cu	216
Grease lub.	470
Oil lub.	630
da(max)	356
Da(max)	478
Da(min)	440
Sa(min)	6
ra(max)	4
rb(max)	5
e	0.35
Y2	1.95
Y3	2.90
Y0	1.91
(Refer.) Mass(kg)	129