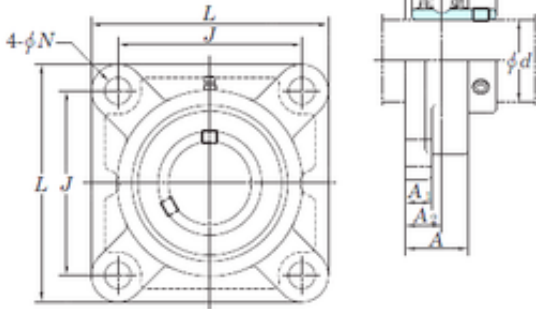




TRANSMISSIONS EUROPE CREZANCY

KOYO UCF212-38 bearing units

Bearing No. UCF212-38



UCF212-38 Bearing 2D drawings and 3D CAD models

Bore Diameter	60,325 mm
d	60,325 mm
A0	68,7 mm
A	48 mm
A1	18 mm
B	65,1 mm
J	143 mm
L	175 mm
N	19 mm
S	25,4 mm
Bolt (G)	M16
A2	29 mm
Weight	4,2 Kg
Basic dynamic load rating (C)	52,4 kN
Basic static load rating (C0)	36,2 kN