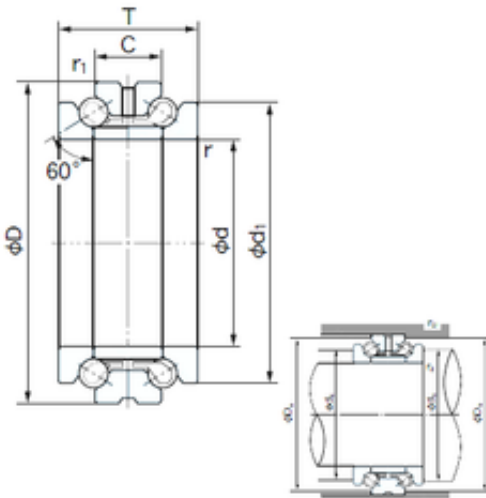




TRANSMISSIONS EUROPE CREZANCY

NACHI 109TAD20 thrust ball bearings

Bearing No. 109TAD20



109TAD20 Bearing 2D drawings and 3D CAD models

Size	109x160x66 mm
Bore Diameter	109 mm
Outer Diameter	160 mm
Width	66 mm
d	109 mm
D	160 mm
T	66 mm
ra1 max.	1 mm
Angle (°)	60 °
d1	142 mm
r min.	2 mm
r1 min.	1 mm
C	33 mm
da min.	125 mm
Da max.	151 mm
ra max.	2 mm
Weight	4.19 Kg
Basic dynamic load rating (C)	67 kN
Basic static load rating (C0)	199 kN
(Grease) Lubrication Speed	2600 r/min