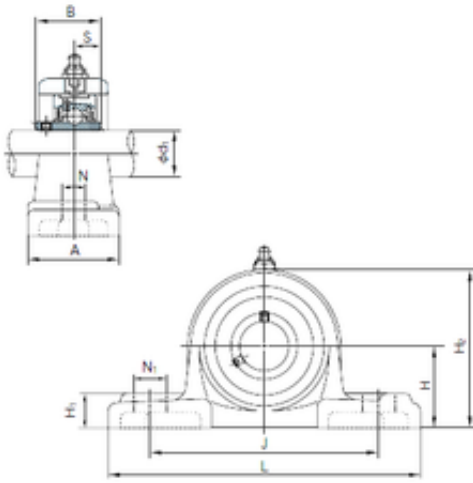




TRANSMISSIONS EUROPE CREZANCY

NACHI UCEP207 bearing units



Bearing No. UCEP207

Bore Diameter	35 mm
Width	42.9 mm
d	35 mm
A	57 mm
B	42.9 mm
H	54 mm
H1	22 mm
H2	108 mm
J	144 mm
L	203 mm
N	17 mm
N1	20 mm
S	17.5 mm
Bolt (G)	M14

UCEP207 Bearing 2D drawings and 3D CAD models